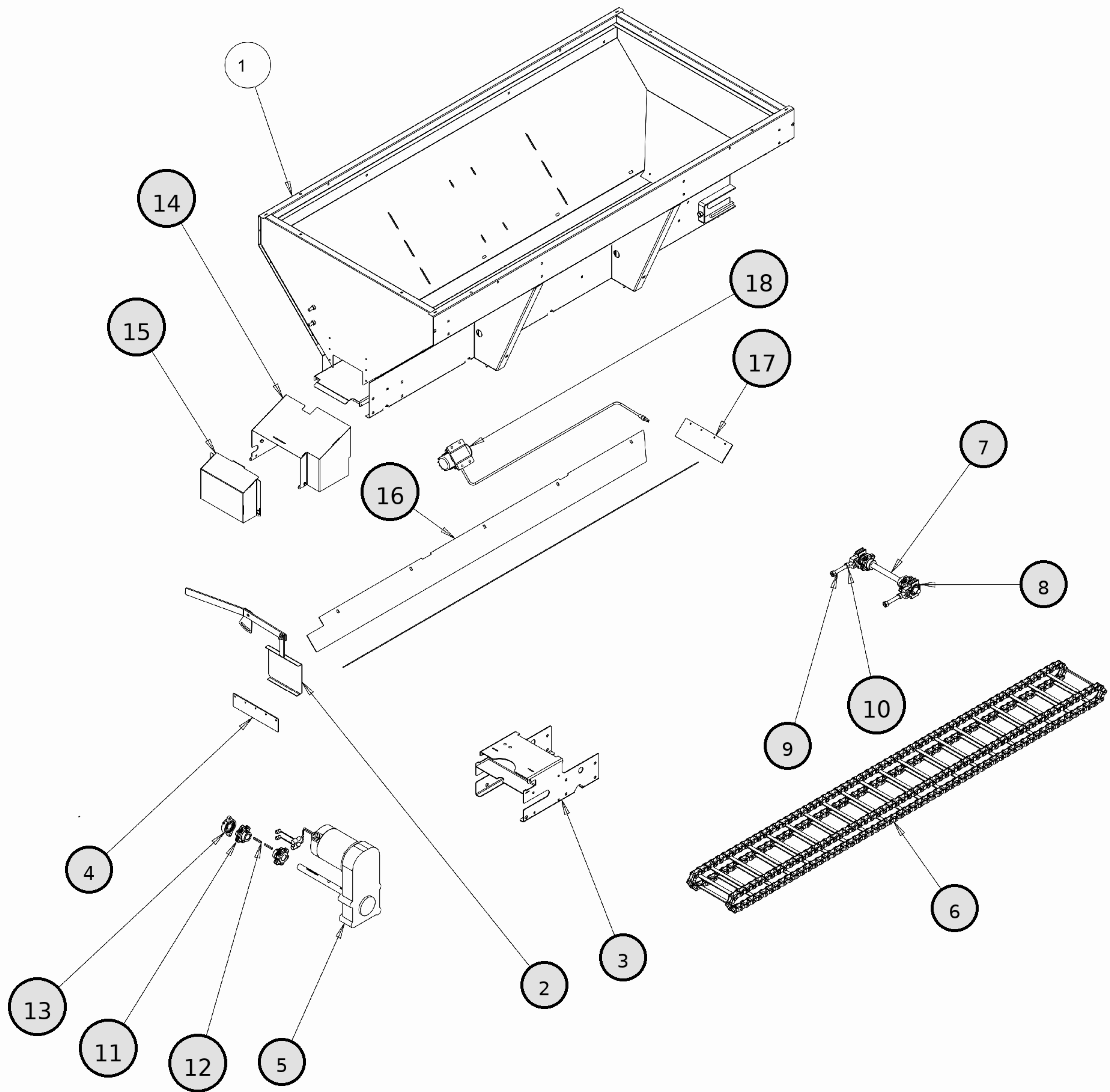




PRO SST V-BOX SPREADERS - ELECTRIC

FIGURE LIST

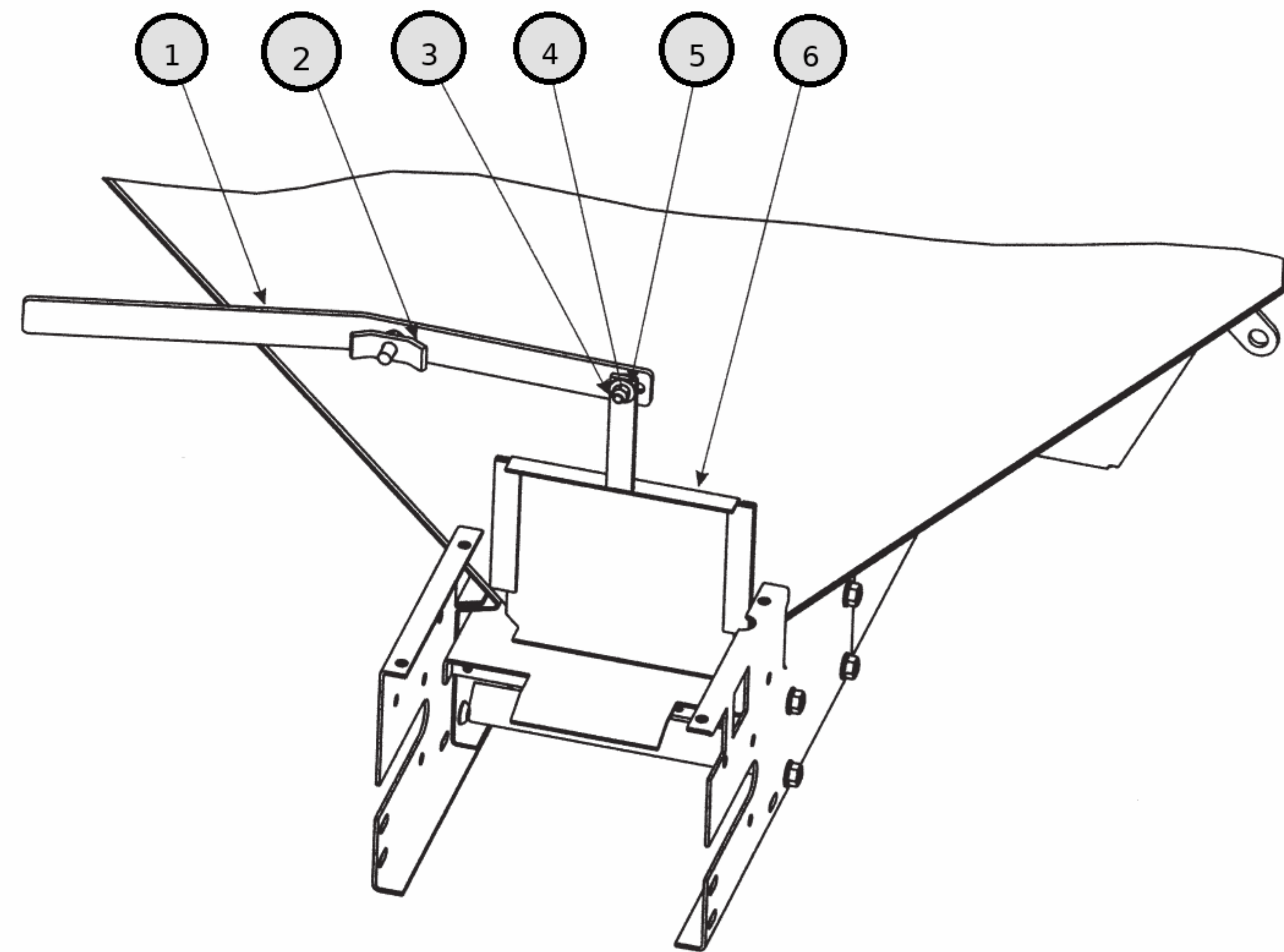
Page	Description
1	1400801SS 1400601SS HOPPER ASSEMBLY
2	1400801SS 1400601SS FEED GATE ASSEMBLY
3	1400801SS 1400601SS CHUTE ASSEMBLY, ADJUSTABLE
4	1470801SSE 1470601SSE 1400801SS 1400601SS SCREEN KITS, VBOX
5	1470801SSE 1470601SSE 1400801SS 1400601SS MAIN ASSEMBLY
6	1470801SSE 1470601SSE HOPPER ASSEMBLY
7	1470801SSE 1470601SSE CHUTE ASSEMBLY
8	1470801SSE 1470601SSE 1400601SS CONTROL HARNESSSES



REF	PN	DESCRIPTION
2	3009248	GATE W/ LOCK ASSY FEED, SST
3	3013875	MOUNT GEAR MOTOR
4	1410241	REAR WIPER BELT, HOPPER
5	3013821	GEAR MOTOR CONVEYOR 12 VDC
6	1401100P	CHAIN ASSY D662 122 LINKS, 8FT
6	1401300	CHAIN ASSY D662, 93 LINKS, 6FT
6	3054785	CHAIN ASSY D662, 108 LINKS, 7FT
7	3008571	SHAFT IDLER, ASSEMBLY
8	1411001	BEARING, IDLER TAKE UP
9	141050WSS	BOLT, WELDED TAKE UP, SCH IDLER
10	FNH063011054SS	NUT, TOP LOCK, 5/8-11, SST WAX
11	1410250	SPROCKET, 6 TOOTH PINTLE CHAIN
12	KS402	KEY, 1/4 X 1/4 X 2
13	1410200	BEARING, FLANGED 1-1/8"
14	3013898	GEAR MOTOR SHROUD
15	3014275	REMOVABLE COVER
16	3014959	CHAIN SHIELD, 8FT, 4.5" (OLD STYLE)
16	3015107	CHAIN SHIELD, 6FT, 4.5" (OLD STYLE)
16	3053087	CHAIN SHIELD, 8FT, 5.5"
16	3054677	CHAIN SHIELD, 7FT, 5.5"
17	3024533	FRONT WIPER BELT, 3 HOLE (OLD STYLE)
17	3053091	FRONT WIPER BELT, 4 HOLE
18	3007416	VIBRATOR 200 LBS 12 VDC

HOPPER ASSEMBLY

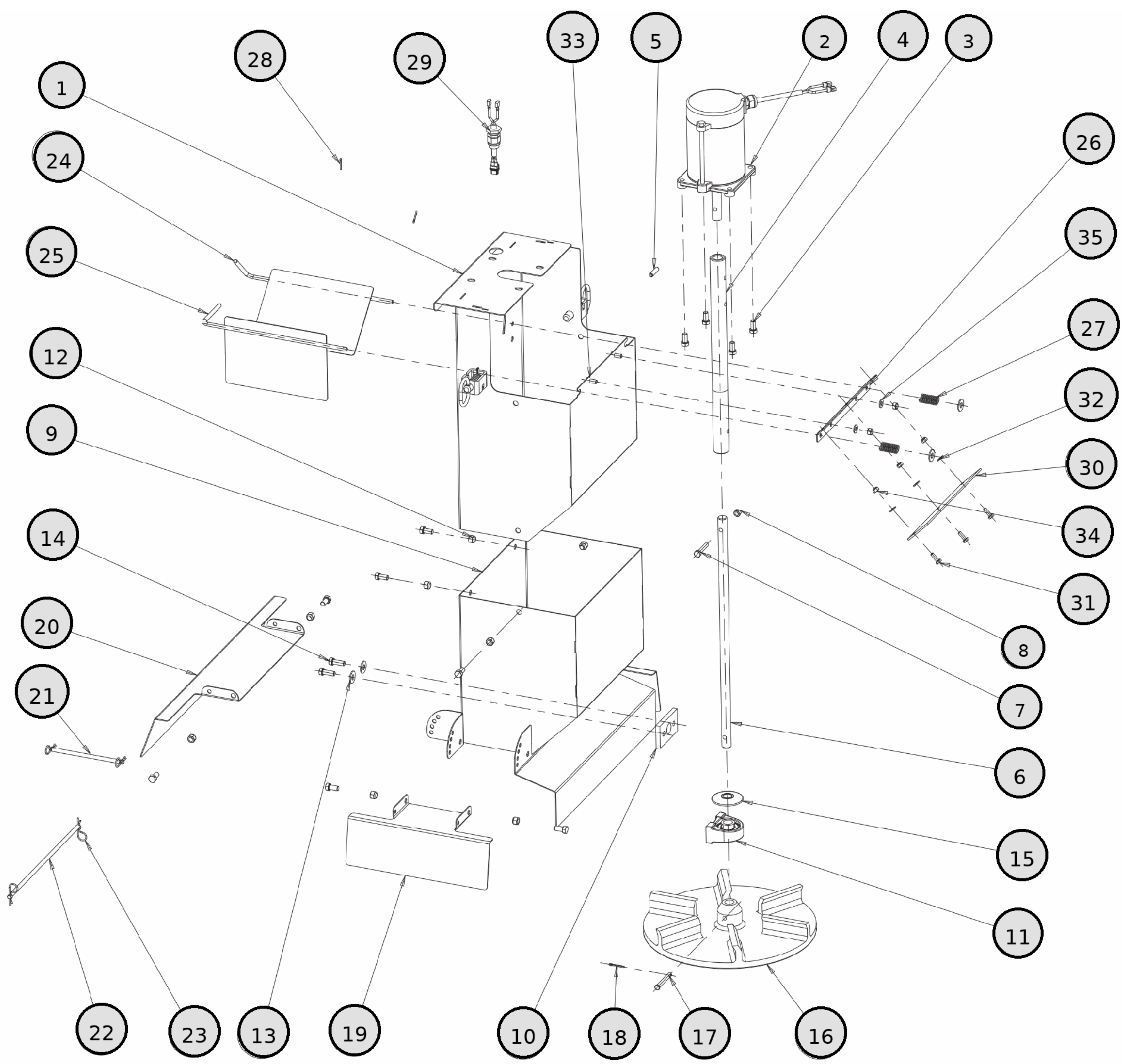
1400801SS / 1400601SS



REF	PN	DESCRIPTION
1	1410108SS	LEVER,FEED GATE 304SS
2	1410109SS	NUT, LEVER,FEED GATE 304SS
3	FCB038016125	BOLT,CARRIAGE,3/8-16 X 1-1/4, GR5, ZN
4	FWF038100007SS	WASHER-FLAT USS, 3/8IN, SST
5	FNE038016044SS	NUT-NYLOCK, 3/8-16 X 7/16 THK,SST
6	141010WSS	PANEL,FEED GATE WELDMENT 304SS

FEED GATE ASSEMBLY

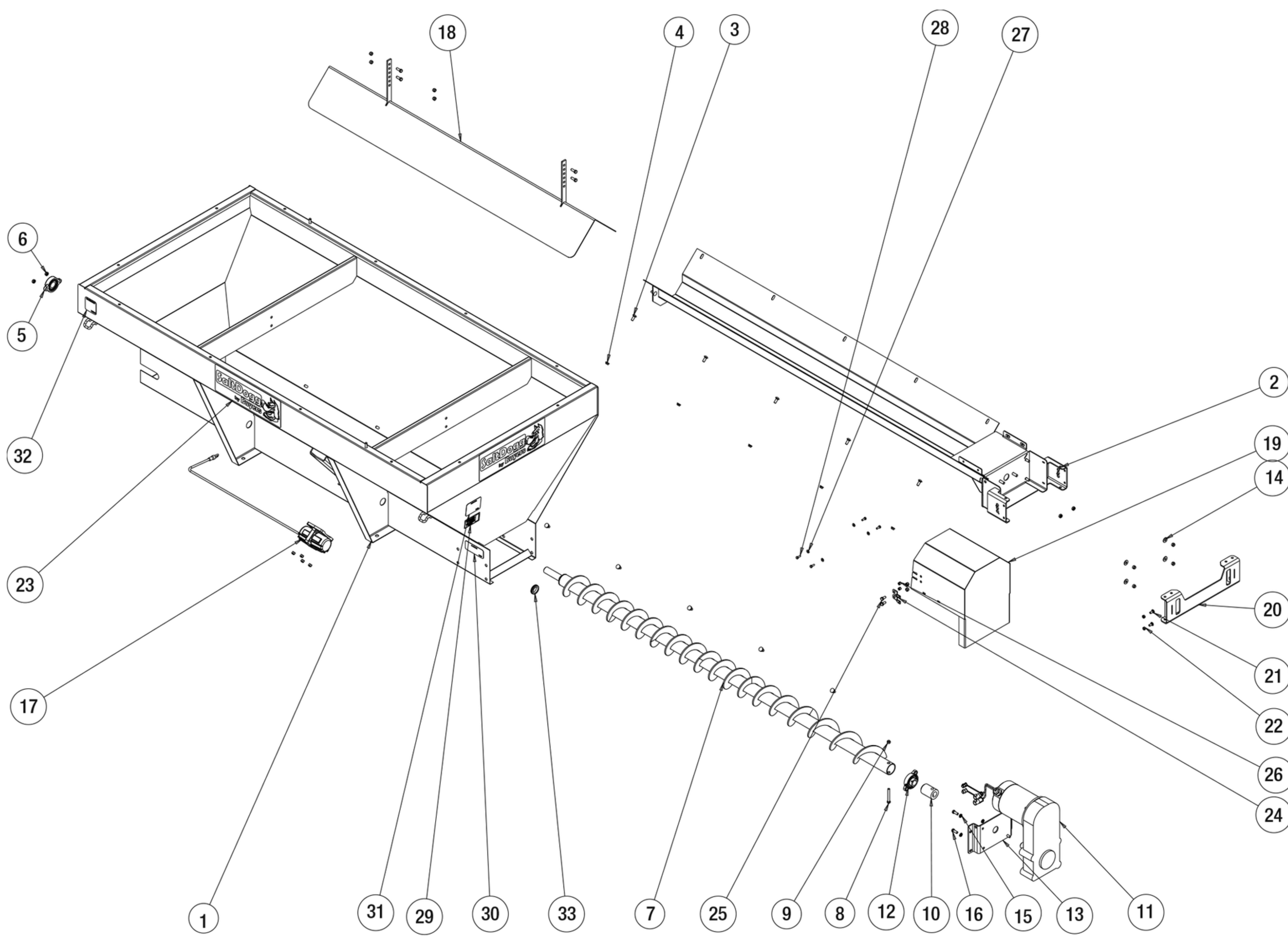
1400801SS / 1400601SS



REF	PN	DESCRIPTION
NAN	3017966	REPLACEMENT ADJUSTABLE CHUTE ASSEMBLY FOR SALTDogg® 1400701SS AND 1400601SS SPREADERS
1	3017969	CHUTE UPPER, WELDMENT
2	3016309	REPLACEMENT .5 HP 12VDC SPINNER MOTOR FOR SALTDogg® SPREADERS
3	FCS038016075SS	SCREW,HEX HD CAP 3/8-16X3/4SST
4	3017974	ADJUSTABLE YELLOW ZINC SHAFT COUPLER
5	3018190	PIN, SLOTTED SPRING 5/16 X 1-1/4, SST
6	3018106	REPLACEMENT ADJUSTABLE YELLOW ZINC CHUTE SHAFT FOR SALTDogg® 1400701SS AND 1400601SS SPREADERS
7	FCS050013125SS	SCREW,HHC,1/2-13 X 1-1/4IN SST
8	FNE050013053SS	NUT, ELASTIC STOP,1/2-13,SST
9	3017970	CHUTE LOWER WELDMENT
10	3030680	SPACER BEARING, LOWER CHUTE
11	1420101	REPLACEMENT 3/4 INCH PILLOW BLOCK SPINNER BEARING WITH TAP BASE
12	FNE038016044SS	NUT-NYLOCK, 3/8-16 X 7/16 THK,SST
13	FWF038100007SS	WASHER-FLAT USS, 3/8IN, SST
14	FCS038016100SS	SCREW CAP-3/8IN-16 X 1IN, HEX HEAD, SST
15	3027439	SLINGER, 3/4 IN SHAFT
16	3012393	REPLACEMENT 14 INCH CW POLY SPINNER FOR SALTDogg® SPREADER
17	3007113	CLEVIS PIN WITH 5/16 INCH DIAMETER AND 2-1/2 INCH LENGTH
18	FPC013000100	COTTER PIN 1/8IN X 1IN ZN
19	3013840	DEFLECTOR SIDE SST
20	3018114	DEFLECTOR REAR SST
21	3018192	PIN, SIDE DEFLECTOR
22	3018193	PIN, REAR DEFLECTOR
23	3001257	COTTER, HAIR PIN .091 DIA X 2IN SST
24	3018119	INNER BAFFLE WELDMENT, PASS SIDE
25	3018120	INNER BAFFLE DRVR SIDE WELDMENT
26	3018189	RETAINER, INTERNAL BAFFLES
27	3008853	SPRING,SPINNER CHUTE BAFFLE
28	FPC009000075SS	PIN,COTTER 3/32 X 3/4 SST
29	3006753	REPLACEMENT WIRE HARNESS FOR SALTDogg® SHPE1500 AND TG SPREADERS
30	3024533	WIPER BELT, CHUTE
31	FCS025020075SS	SCREW,CAP-1/4-20 X 3/4IN,SST
32	FWF025063007SS	WASHER,FLAT,1/4IN SAE,SST
33	FCS031018063SS	SCREW,CAP-5/16IN-18 X 5/8IN,
34	FNE025020031SS	NUT,HEX-NYLOCK INSERT 1/4-20
35	FWF031075006SS	WASHER,FLAT,5/16IN SAE,SST

CHUTE ASSEMBLY, ADJUSTABLE

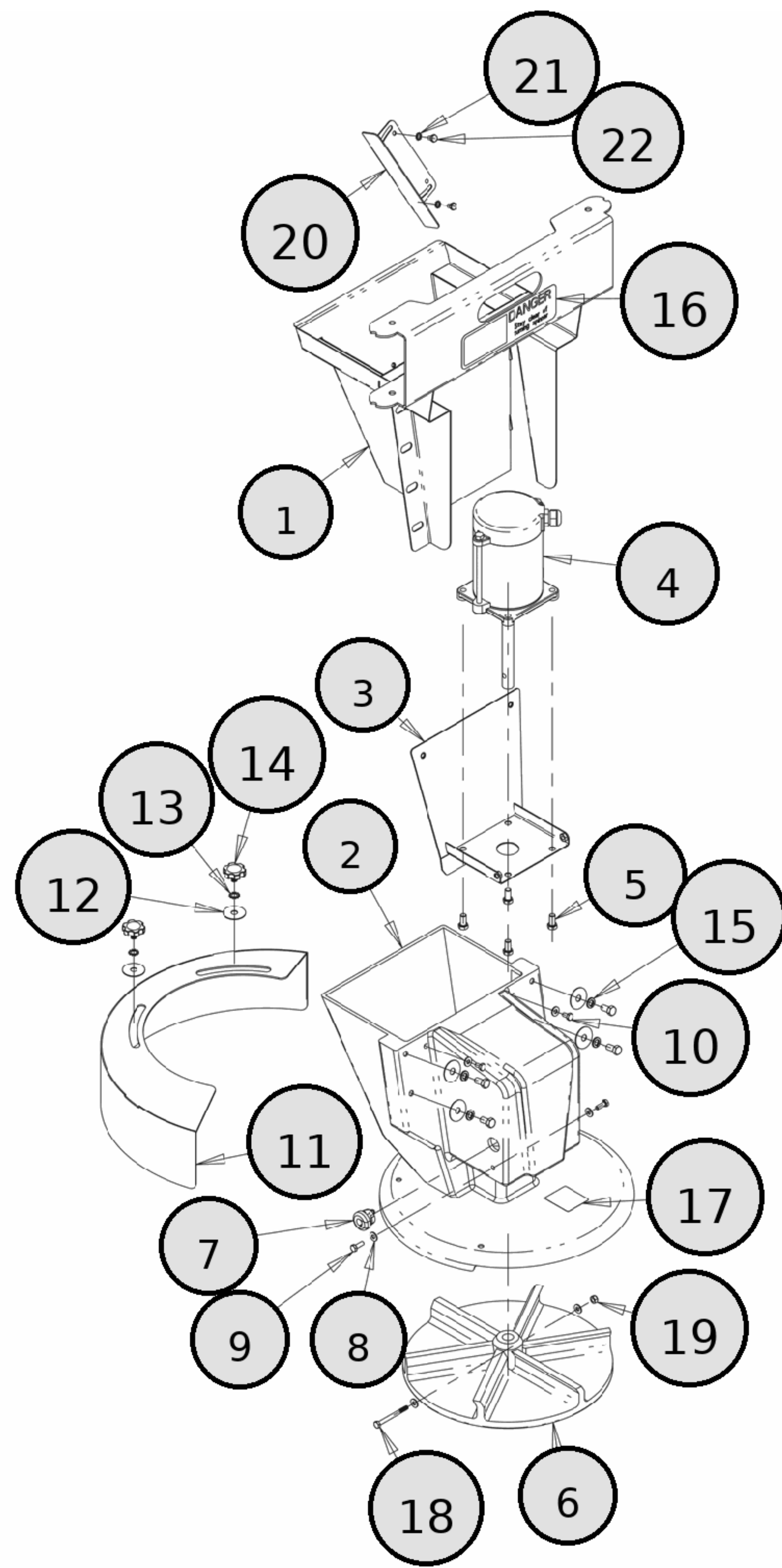
1400801SS / 1400601SS



REF	PN	DESCRIPTION
2	3053778	TROUGH, 8FT 1470601SSE
2	3065359	TROUGH, 7FT 1470801SSE
3	3014960	BOLT,CARRIAGE SHORT NECK 3/8-16X1.0,SST
4	3001255	NUT,HEX, SERRATED FLANGE 3/8-16, SST
6	3014756	NUT, HEX NYLOCK 7/16-14 SST
7	3033660	AUGER, 1470601SSE/PRO2500
7	3065359	AUGER, 1470801SSE/PRO2000
8	3007068	SCREW,CAP,HEX HD,3/8-16X 3 SST
9	FNE038016044SS	NUT-NYLOCK, 3/8-16 X 7/16 THK,SST
10	3033663	SLEEVE, AUGER ADAPTER
11	3024575	AUGER GERMOTOR
12	1410200	BEARING
13	3033003	SPACER, GEAR MOTOR
14	FWF038100007SS	WASHER-FLAT USS, 3/8IN, SST
15	FWL038069009SS	WASHER,SPLIT LOCK, 3/8IN, SST
16	FCS038016100SS	SCREW CAP-3/8IN-16 X 1IN, HEX HEAD, SST
17	3007416	VIBRATOR 200 LBS 12 VDC
18	3044067	1INVERTED VEE, 8FT FLUSH SCREEN
18	3053097	INVERTED VEE, 7FT/8FT RECESSED SCREEN
19	3044068	MOTOR COVER, WELDMENT
20	3033076	CHUTE ATTACHMENT
21	3012144	BOLT,CARRIAGE, 5/16-18 X 3/4 RD HD SST
22	FNE031018034SS	NUT,NYLOCK 5/16-18 SST
23	3011132	DECAL,SALTDogg™,BLK/WHT ON CLR 18X6.3125
24	3017121	CLIP MOUNTING, CONNECTOR
25	FCS038016075SS	SCREW,HEX HD CAP 3/8-16X3/4SST
26	3017982	BUSHING
27	FWF025063007SS	WASHER,FLAT,1/4IN SAE,SST
28	FCS025020075SS	SCREW,CAP-1/4-20 X 3/4IN,SST
29	3044229	LABEL SERIAL NUMBER 1 470 6 0ISSE
30	1499035	LABEL, WARNING 3
31	1499020	LABEL, WARNING 1
32	1499045	LABEL, WARNING 4
33	3036278	GROMMET, 1.50 DI AMETER
34	3032591	DECAL, DANGER. MOVING CONVEYOR/AUGER
35	3032593	DECAL, DANGER, MOVING CONVEYOUR
36	3032595	DECAL, CAUTION, MOUNTING

HOPPER ASSEMBLY

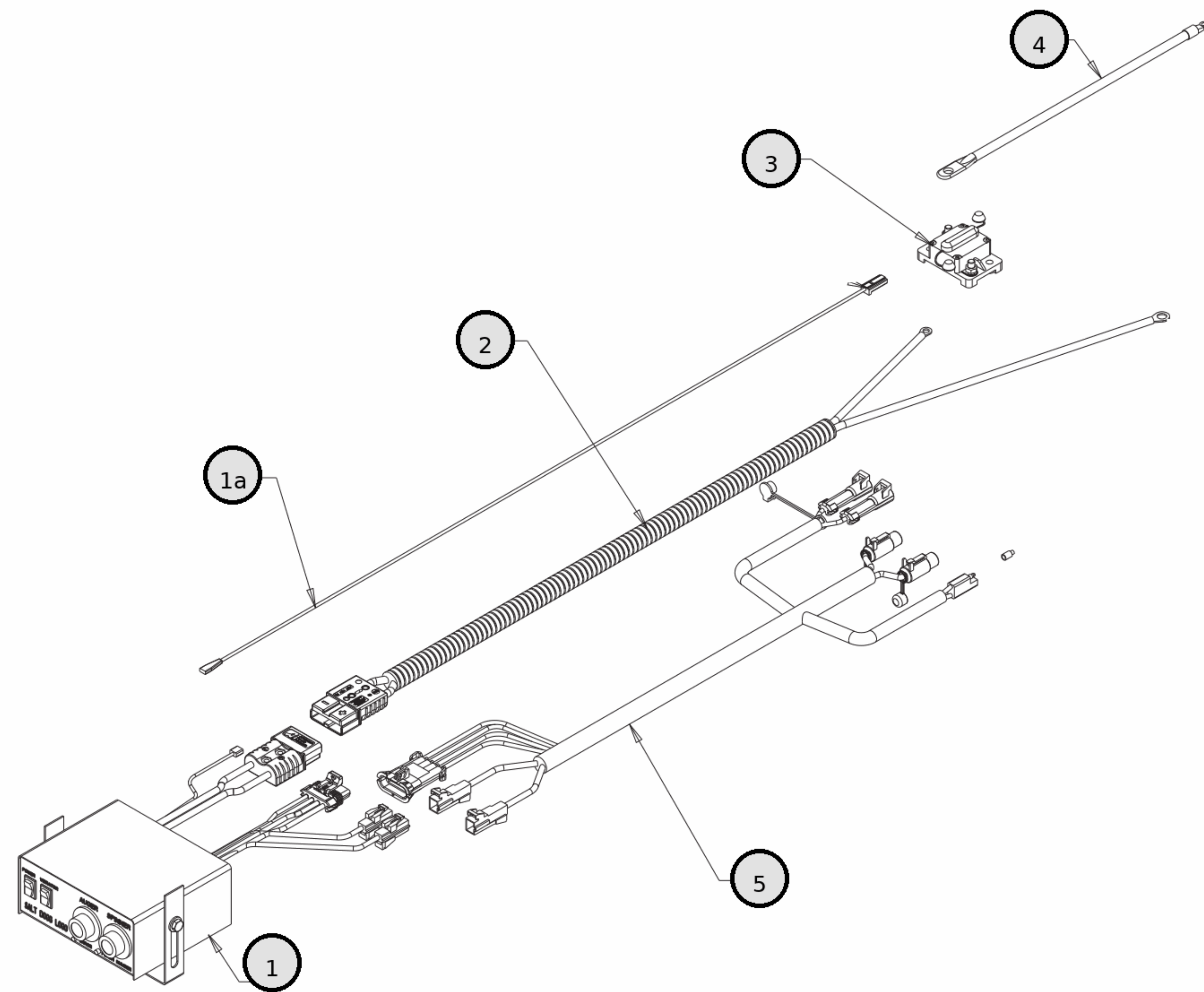
1470801SSE / 1470601SSE



REF	PN	DESCRIPTION
-	3034175	CHUTE, PRO
1	3056844	UPPER CHUTE WELDMENT
2	3030930	CHUTE OUTER ADJUSTABLE
3	3030908	MOTOR MOUNT CHUTE
4	3030907	REPLACEMENT .5 HP 12 VDC SPINNER MOTOR FOR SALTDOGG® PRO SERIES SPREADERS
5	FCS038016075SS	SCREW,HEX HD CAP 3/8-16X3/4SST
6	3012393	REPLACEMENT 14 INCH CW POLY SPINNER FOR SALTDOGG® SPREADER
7	3025065	BUSHING CABLE STRAIN RELIVER
8	FWF025063007SS	WASHER,FLAT,1/4IN SAE,SST
9	FCS025020075SS	SCREW,CAP-1/4-20 X 3/4IN,SST
10	3008549	SCREW,HEX HD CAP,1/4-20 X .500IN, SST
11	3040557	REPLACEMENT CHUTE SHIELD FOR SALTDOGG® PRO SERIES SPREADERS
12	3007115	WASHER,FENDER,3/8IN, 1.5IN OD X .062 SST
13	3017356	WASHER LOCK, 3/8 EXTERNAL TOOTH SST
14	3031755	3/8-16X1/2 PLASTIC HEAD THUMB SCREW
15	FWL038069009SS	WASHER,SPLIT LOCK, 3/8IN, SST
16	3007844	DECAL,DANGER STAY CLEAR FOR POLY CHUTES
17	3002631	LABEL, NO STEP
18	3016761	1/4-20 X 2.75 BOLT, SST
19	FNE025020031SS	NUT,HEX-NYLOCK INSERT 1/4-20
20	3042702	GUIDE, MATERIAL
21	3023463	LOCK WASHER, 1/4 EXT SST
22	FCS025020038SS	SCREW,HEXHD CAP 1/4-20X3/8 SST

CHUTE ASSEMBLY

1470801SSE / 1470601SSE



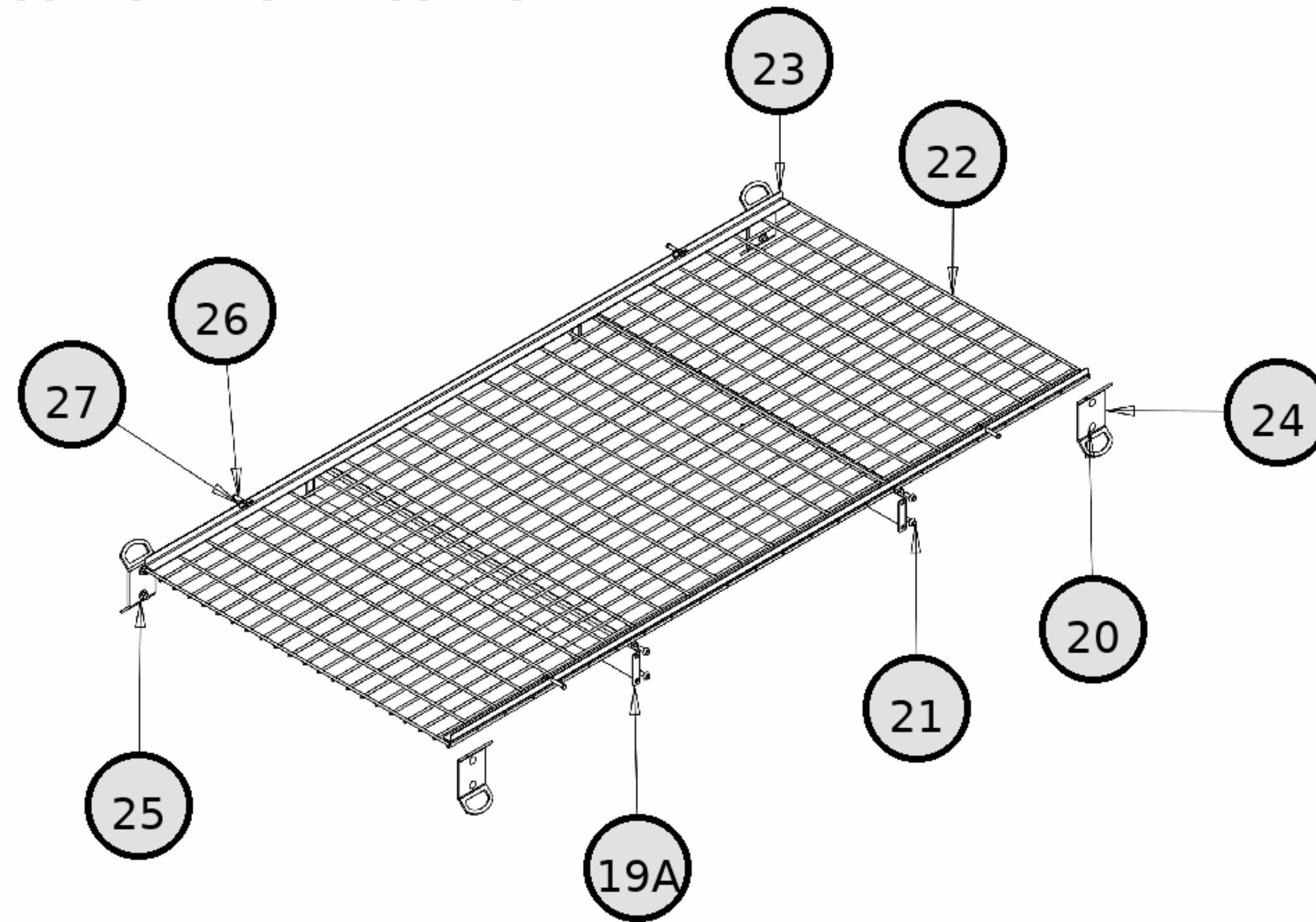
REF	PN	DESCRIPTION
-	3058402	CONTROLLER KIT (BUCKET), PRO W/INSTRUCTIONS
-	3058858	CONTROLLER KIT (BUCKET) SCH W/INSTRUCTIONS
1	3057918	CONTROLLER, PRO
1A	0203700	ENABLE WIRE (3016934 ONLY)
2-4	3035938	POWER HARNESS KIT, PRO
2	3035935	POWER HARNESS, PRO
3	CB150PB	CIRCUIT BREAKER, 150A
4	3001379	BATTERY CABLE
5	3017233	CONNECTOR REPAIR KIT, 3030628 TO CONTROLLER (4 PIN)
5	3020301	CONNECTOR REPAIR KIT, 3030628 TO SPINNER (2 CONNECTORS)
5	3024738	CONNECTOR REPAIR KIT, 3030628 TO DRIVE MOTOR (2 CONNECTORS)
5	3030628	CONTROL HARNESS, PRO, 2 CONNECTOR SPINNER
5	3054942	PIGTAIL, 3030628 TO VIBRATOR
5	3054943	PIGTAIL, 3030628 TO DRIVE MOTOR (2 CONNECTORS)
5	3054945	PIGTAIL, 3030628 TO SPINNER (2 CONNECTORS)

CONTROL HARNESSES

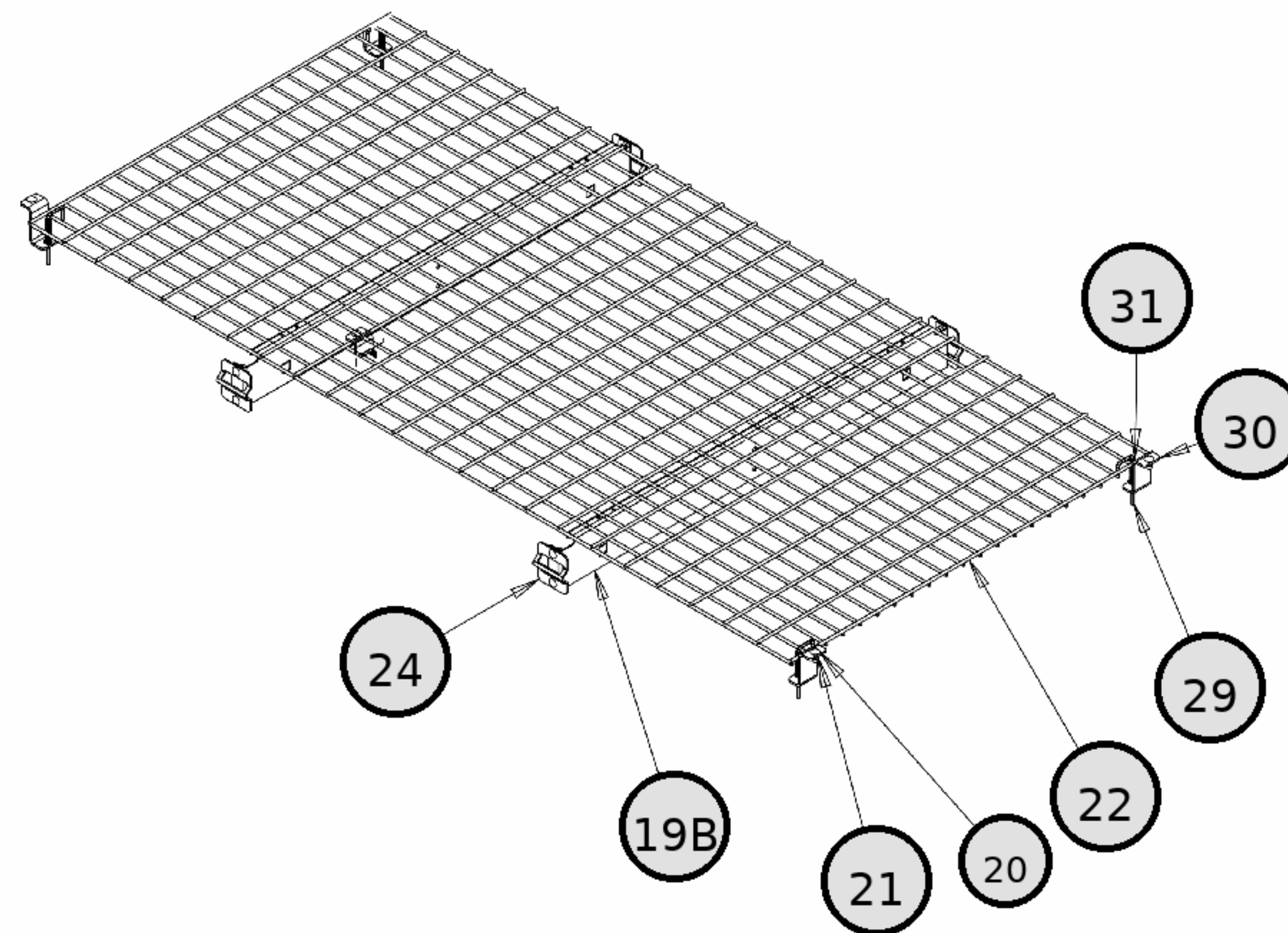
1470801SSE / 1470601SSE / 1400601SS

**NOTE: SCREEN KITS ARE NOT BACKWARDS COMPATIBLE
SEVERAL COMPONENTS ARE COMMON**

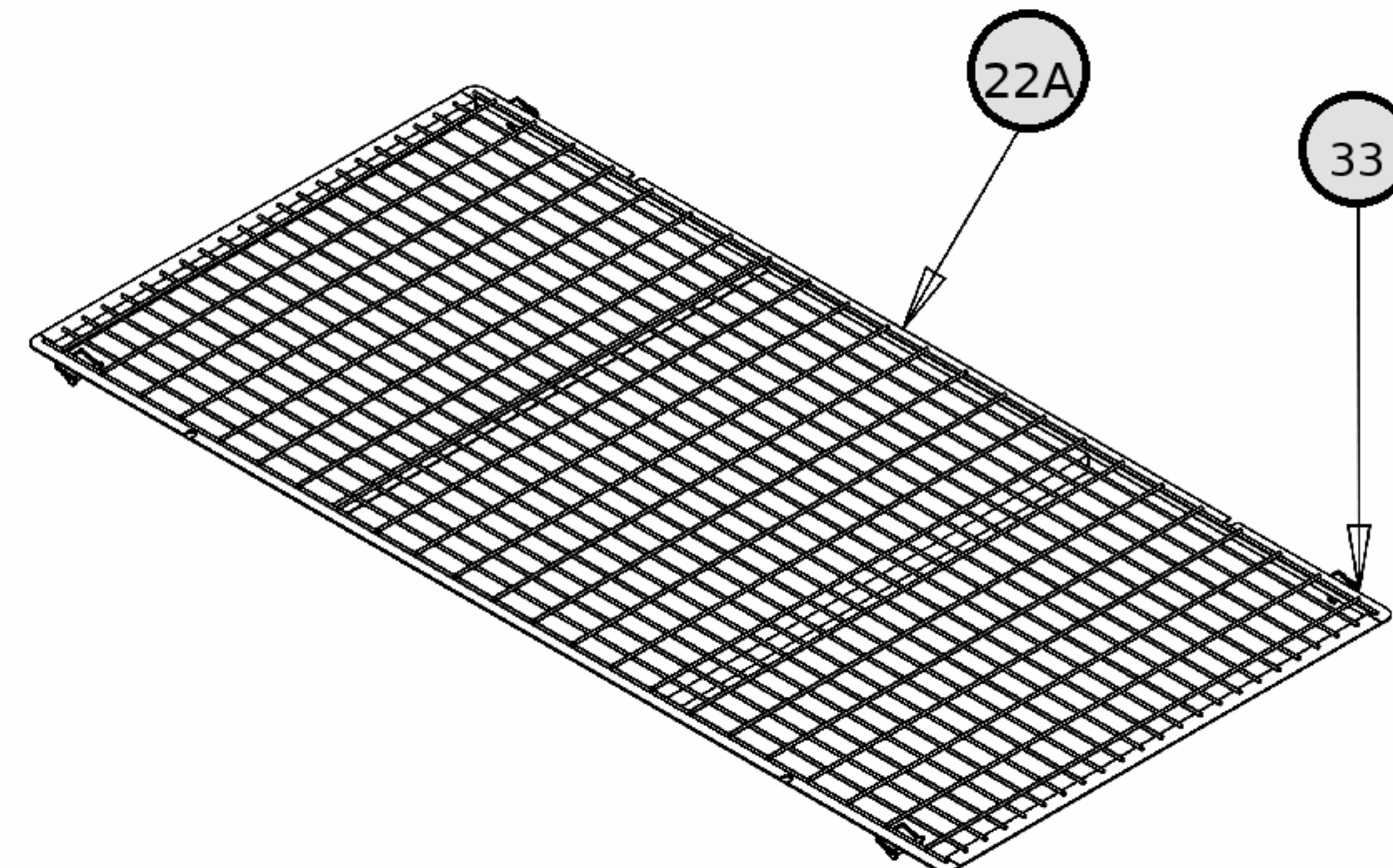
**2025 DESIGN
RECESSED SCREEN
WITH ANGLE IRON RETAINERS**



**2022 DESIGN
FLUSH SCREEN
WITH SPRING CLIPS**



**ORIGINAL DESIGN
FRAMED SCREEN**

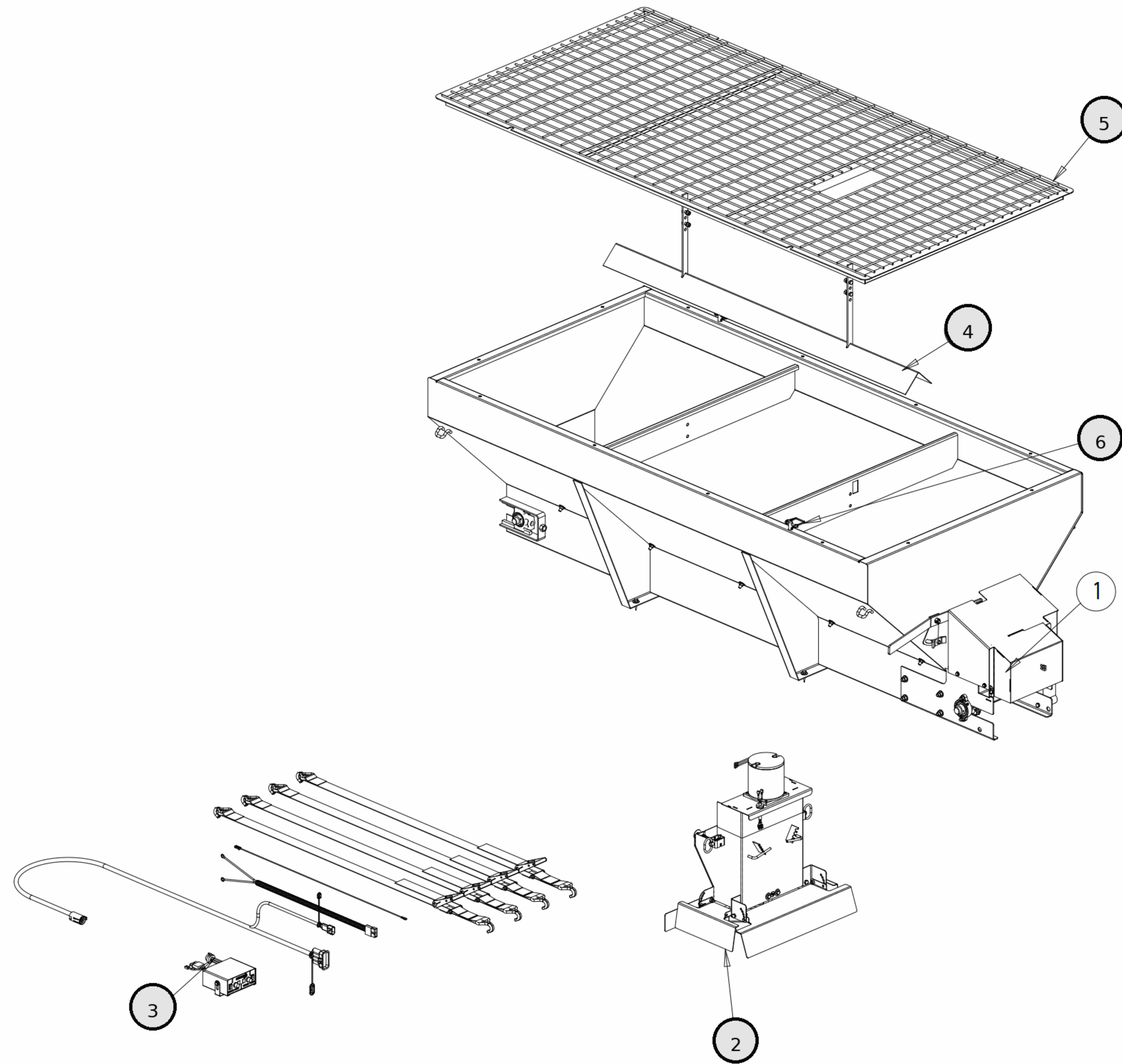


REF	PN	DESCRIPTION
19A	3063552	CROSS MEMBER, SST, RECESSED SCREEN
19B	3052927	CROSS MEMBER, SST, FLUSH SCREEN
20	FCB037516100SS	BOLT, 3/8-16 X 1 CARRIAGE SST
20	FCB037516100SS	BOLT, 3/8-16 X 1 CARRIAGE SST
21	FNE038016044SS	NUT, NYLOCK, 3/8-16, SST WAX
21	FNE038016044SS	NUT, NYLOCK, 3/8-16, SST WAX
22	3052919	TOP SCREEN, 96IN, FLUSH AND RECESSED
22	3052919	TOP SCREEN, 96IN, FLUSH AND RECESSED
22	3054802	TOP SCREEN, 84IN, FLUSH AND RECESSED
22	3054802	TOP SCREEN, 84IN, FLUSH AND RECESSED
22A	3007349	TOP SCREEN, 72IN, FRAMED
22A	3007568	TOP SCREEN, 96IN, FRAMED
23	3063584	RECESSED SCREEN RETAINER
24	3064579	BRACKET, TIE-DOWN
24	3064579	BRACKET, TIE-DOWN
25	FWF038100007SS	WASHER, FLAT 3/8 USS SST
26	3064750	PIN CLEVIS .375 X 1.75,SST
27	3001257	PIN, HAIR COTTER STAINLESS STEEL
29	3054283	LOCK PIN, SCREEN
30	3058806	BRACKET, LOCK PIN
31	3054284	SPRING, LOCK PIN
33	66053	SNAPPER PIN, 5/16X2-1/2

SCREEN KITS, VBOX

1470801SSE / 1470601SSE / 1400801SS / 1400601SS

REF	PN	DESCRIPTION
-	1491501	TARP KIT, 96IN X 47IN HOPPER
-	1491701	TARP KIT, 72IN X 47IN HOPPER
-	3056431	TARP KIT, 84IN X 47IN HOPPER
2	3017966	CHUTE, ELECTRIC STAINLESS STEEL
3	1496505	HOLD DOWN KIT (4 PCS)
3	3058856	CONTROLLER/HARNESS KIT (BUCKET) SCH
4	1499500SS	INVERTED VEE KIT, 8FT (FRAMED SCREEN)
4	1499700SS	INVERTED VEE KIT, 6FT (FRAMED SCREEN)
4	3053097	INVERTED VEE KIT, 7FT/8FT (NEW STYLE SCREEN)
5	-	SEE SCREEN DIAGRAM
6	66050	ZINC-PLATED SNAPPER PINS



MAIN ASSEMBLY

1470801SSE / 1470601SSE / 1400801SS / 1400601SS